

1 1/4" SQUARE GRAB RAIL
CORRUGATED ALUMINUM

SPECIFY 18" OR 24"

CROSS-OVER
SPAN

TYP

28"

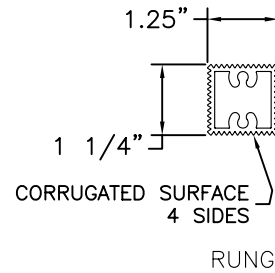
42"

PARAPET WIDTH
(VERIFY)

SPECIFY
RETURN LENGTH

7" MIN
SPACING

VARIES



OVERALL LADDER HEIGHT
(VERIFY)

EQUAL SPACES AT 12" O.C.

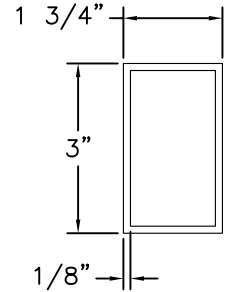
1 1/4" SQUARE RUNG
CORRUGATED ALUMINUM

2" X 1/4" ALUMINUM
WALL BRACKET-TYP

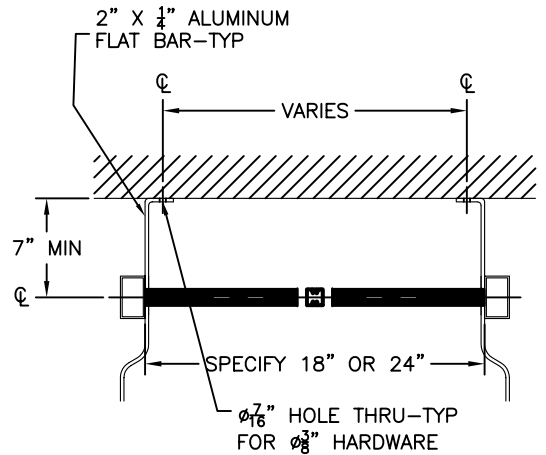
3" X 1 3/4" X 1/8" THK
SQUARE TUBING
ALUMINUM STRINGER

48" TYP

ACCOMMODATION HEIGHT
(VARIES-20' MAX)



SHOWN WITH
2" X 1/4" ALUMINUM
FLOOR BRACKETS
(OPTIONAL)



RUNG ASSEMBLY

FRONT ELEVATION

SIDE ELEVATION

NOTICE - THIS DRAWING AND ALL OF THE INFORMATION THEREON IS THE CONFIDENTIAL PROPERTY OF ACL INDUSTRIES, INC. IT HAS BEEN PROVIDED TO YOU FOR A LIMITED PURPOSE IS NOT TO BE USED, REPRODUCED, OR DISCLOSED TO OTHERS FOR ANY OTHER PURPOSE.

UNLESS OTHERWISE SPECIFIED DIMENSIONS ARE IN INCHES TOLERANCES ARE

FRACTIONS	DECIMALS	ANGLES
FRAC	.XX .XX	ANGLE
	.XXX .XXX	

ACL INDUSTRIES, INC. 52 MAPLE ST. MANCHESTER, NH 03103-5616
TEL: 1-603-668-1276 FAX: 1-603-668-1281

TITLE **ACL-202 ALUMINUM HEAVY DUTY PARAPET ACCESS WITH WALK THRU SAFETY HANDRAIL AND PARAPET RETURN**

MATERIAL	APPROVALS	DATE
TREATMENT	DRAFTED	
	CHECKED	
	APPROVED	

SIZE A	PART/PROJ. No.	DWG. NO. ACL-202	REV.
SCALE NTS	QTY REQ'D	SHEET	